



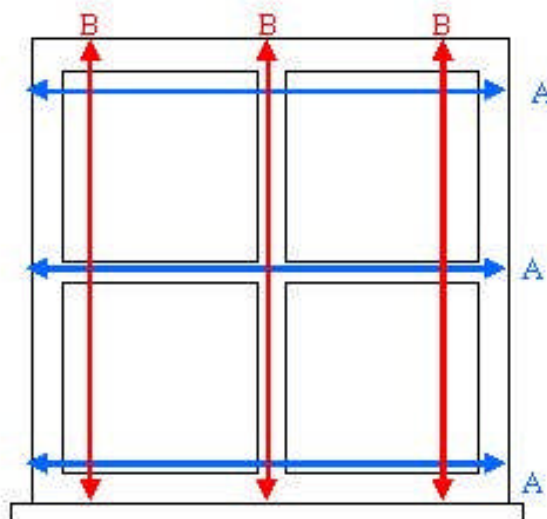
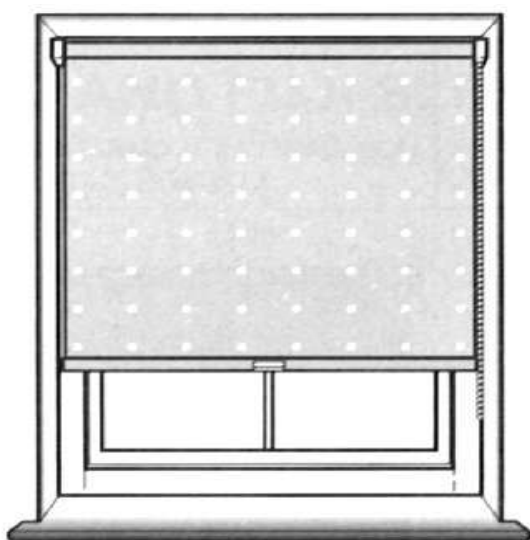
Measuring Guide for Eclectics Made to Measure Blinds

Always use a metal measuring tape for accuracy. All measurements given should be metric and in centimetres. You will need to decide whether you would like your blind to fit inside the window recess or outside on the wall above. Remember to allow for obstructions such as window handles and tiles etc...

Inside Recess

A deduction of 5mm will be made from the blind width to allow it to be raised and lowered freely.

Roman blinds can not be side fixed.



Measure the width - 'A' in three places, use the smallest measurement.

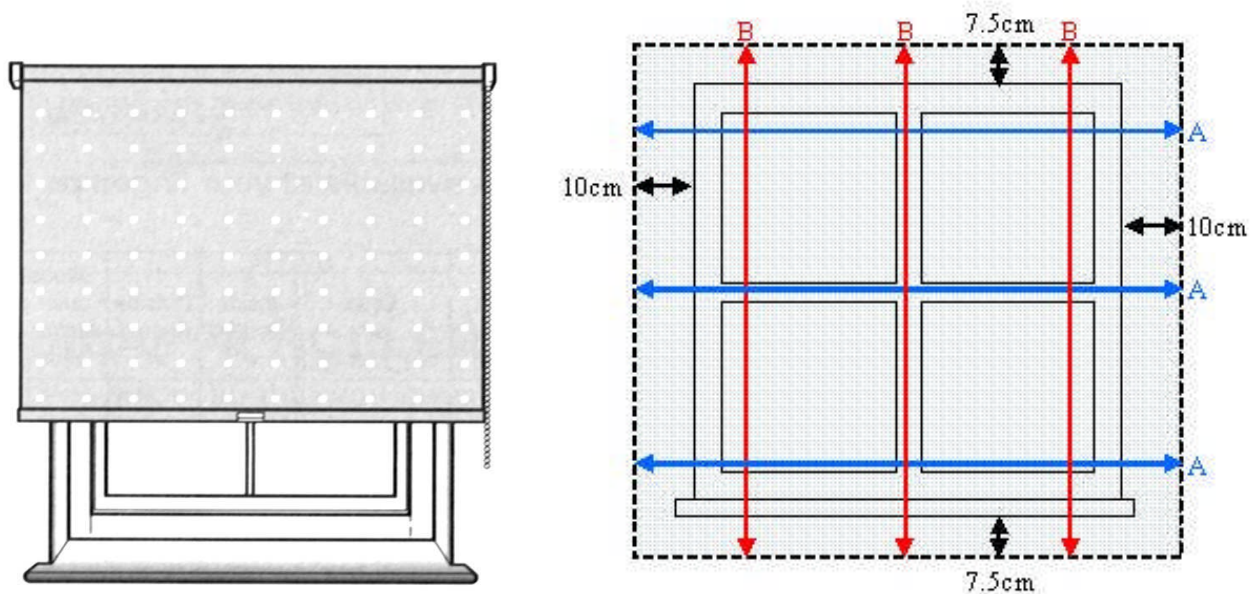
Measure the drop - 'B' in three places, use the smallest measurement.
Note that in kitchens and bathrooms, tiles maybe fitted upto and inside the window recess.

Coast & Country - visit us at: www.ccstyle.co.uk email us at: info@ccstyle.co.uk
or ring us on: 07875 276481



Outside Recess

These blinds will be made to the measurements that you specify. We recommend you should allow at least 7.5cm above the window recess and 7.5cm below. The blind also should overlap the window recess by 10cm either side. These are guidelines and can be changed, however, at least 7.5cm is required above the recess for the brackets.



N.B Decide whether you would like the chain lift and fall control to be on the left or right.

Some blinds have a choice of blind pulls, which are fixed to the middle of the lower edge of the blind. Please note these blind pulls are purely decorative, the chain to the side of the blind should be used to raise and lower the blind.

Coast & Country - visit us at: www.ccstyle.co.uk email us at: info@ccstyle.co.uk
or ring us on: **07875 276481**



Bay Windows

These can vary dramatically, from 3 windows sitting at 90 degrees to each other, to 5 or more at varying angles. If there is a dividing pillar between the windows simply measure as you would normally (see above). However if the windows/blinds meet at the angles an extra deduction has to be taken, to ensure that the blinds won't get in the way of each other. If you aren't sure or there is no dividing pillar please contact us for more information or advice.

Coast & Country are recognized suppliers of Eclectics blinds

eclectics

Coast & Country - visit us at: www.ccstyle.co.uk email us at: info@ccstyle.co.uk
or ring us on: **07875 276481**